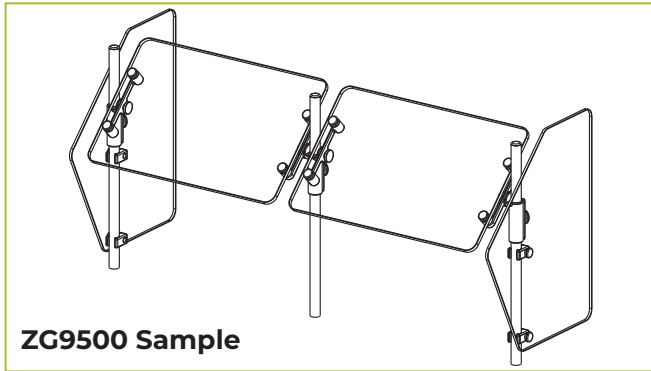
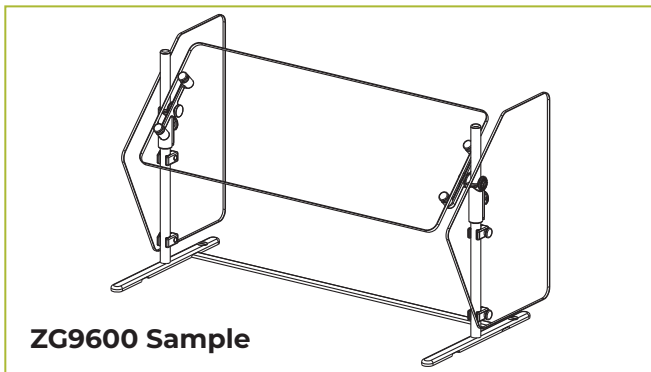
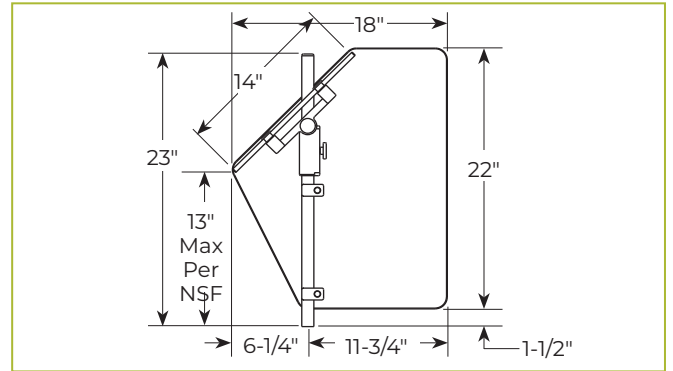


## END PANELS

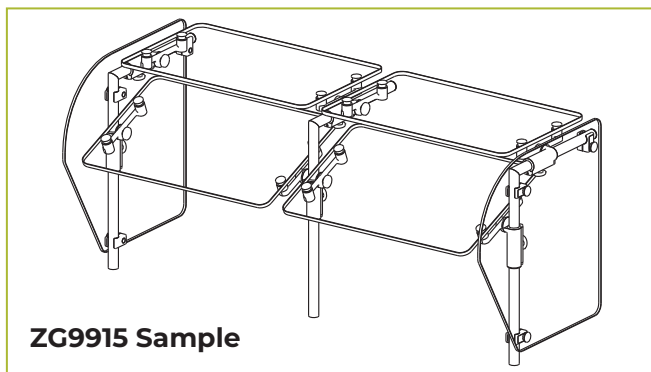
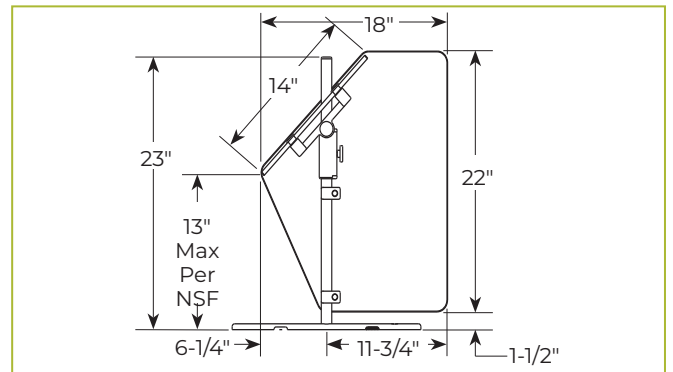
To meet NSF guidelines, end panels are included on all BSI quotations unless specifically excluded. The following section shows size and location of glass end panels for select ZGuard models. For end panel information relating to additional models please contact the BSI factory at 1.800.622.9595.



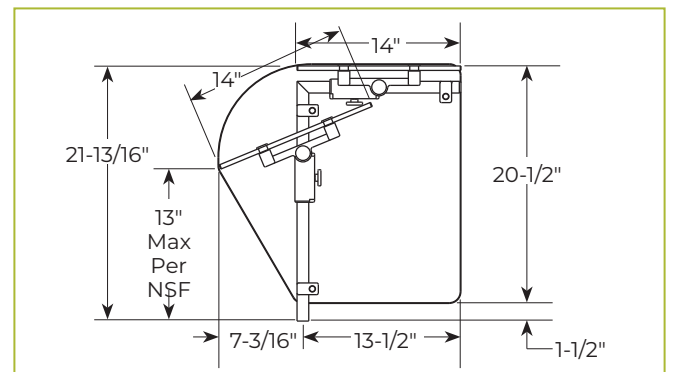
**ZG9500 Sample**



**ZG9600 Sample**



**ZG9915 Sample**

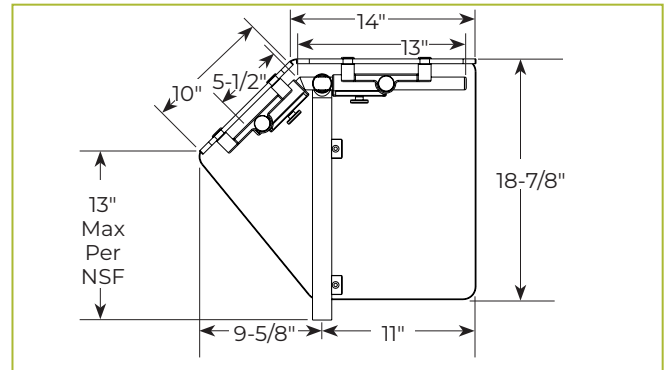
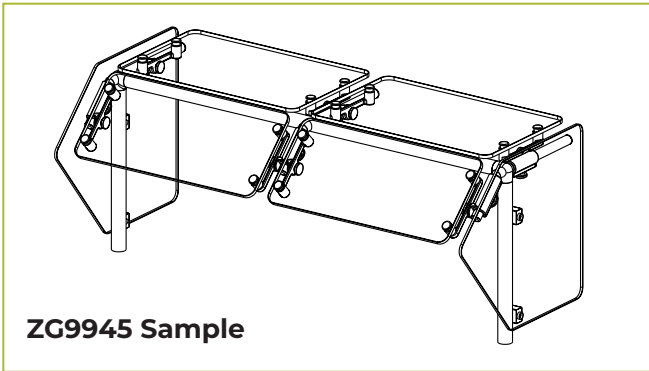
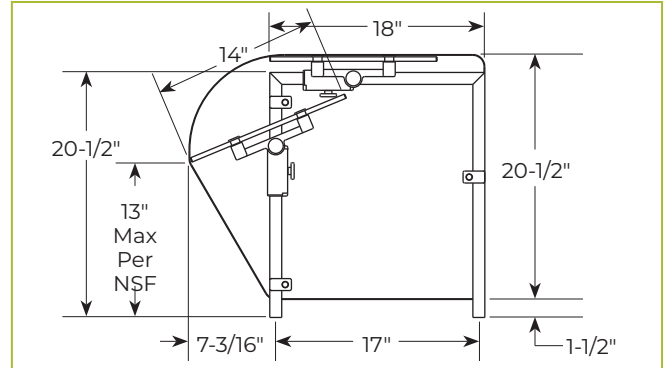
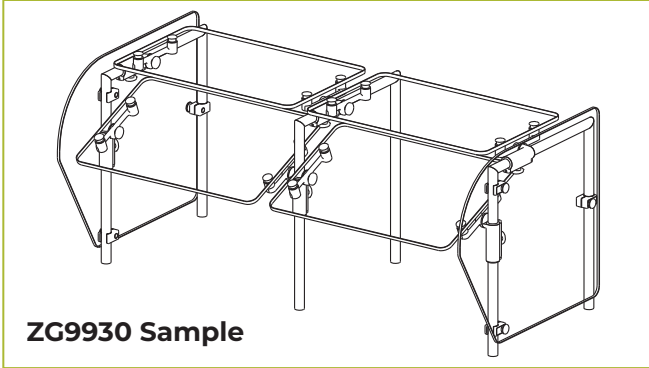


Approval Drawings Required.  
Specifications subject to change without notice.



03.25

**END PANELS**



Approval Drawings Required.  
Specifications subject to change without notice.



03.25